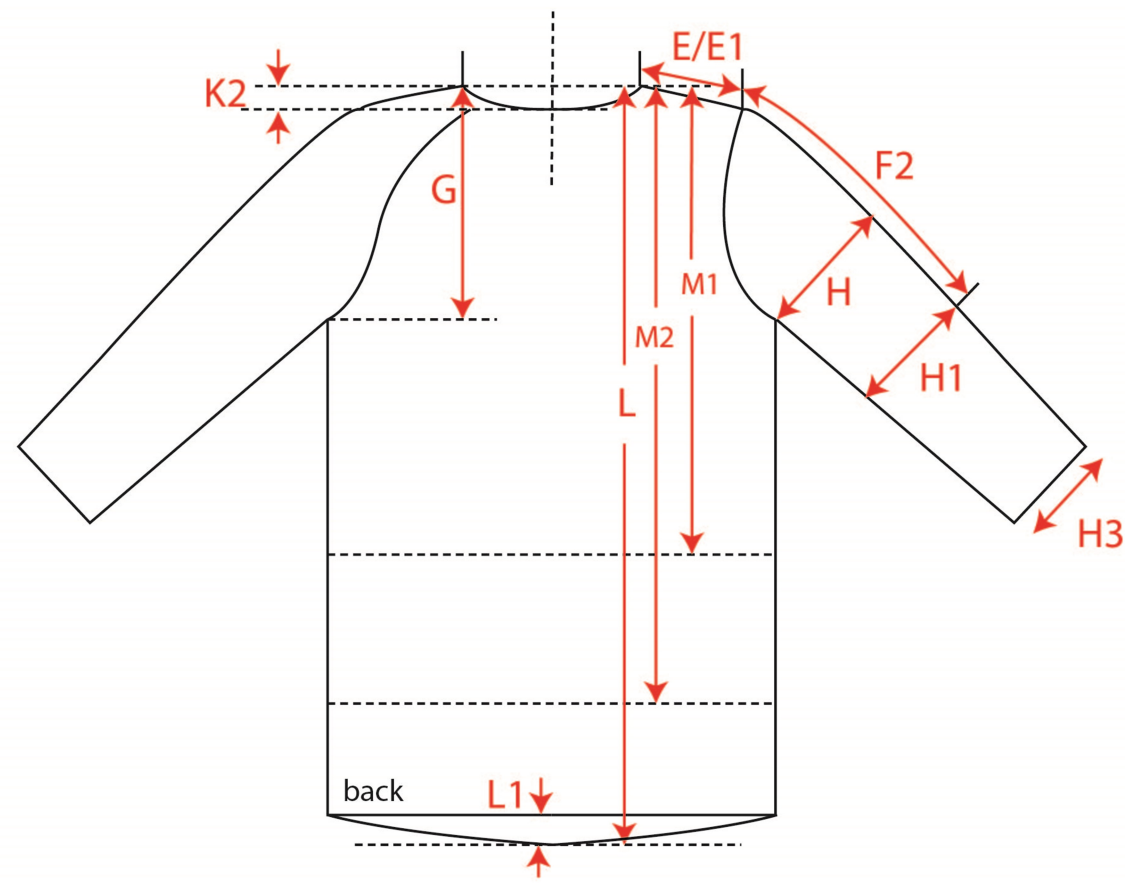
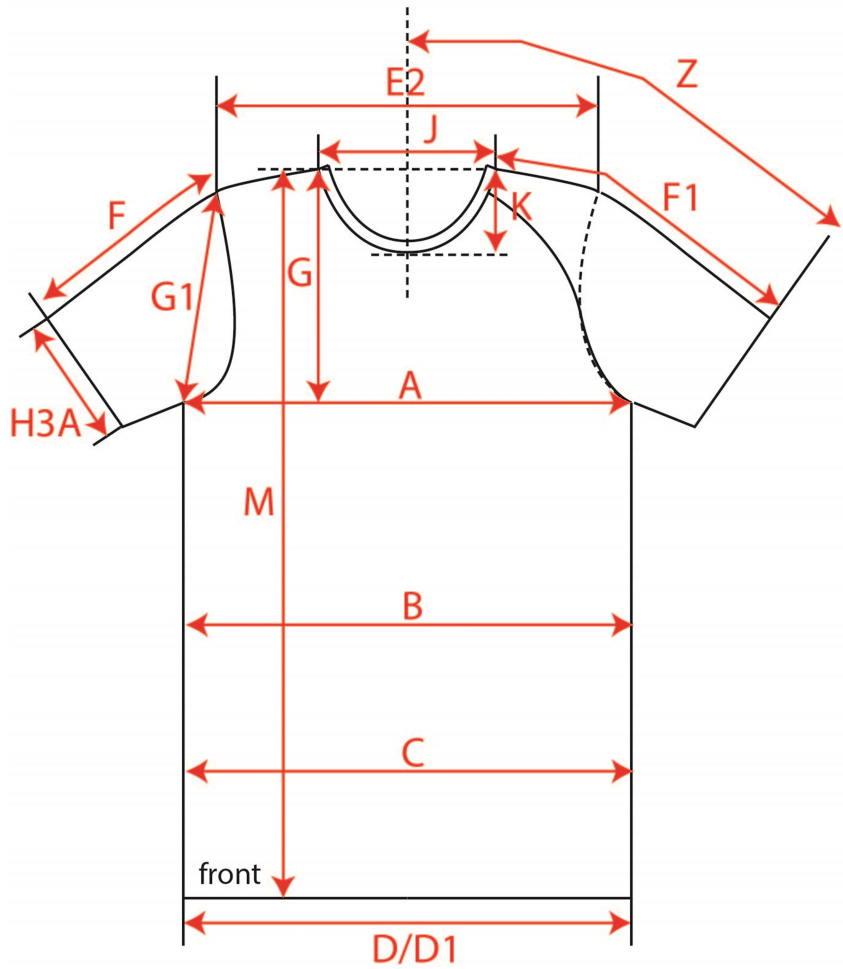


Measurement Sketch



ORDER	SEASON	CLIENT	BRAND
	SS22	n/a	Build your Brand
STYLE CODE	STYLE NAME	GENDER	SUPPLIER
BY181	Ladies Organic Oversized Slit Tee Dress	Female	73286



Style Measurement View for Client



ORDER	SEASON	CLIENT	BRAND
	SS22	n/a	Build your Brand
STYLE CODE	STYLE NAME	GENDER	SUPPLIER
BY181	Ladies Organic Oversized Slit Tee Dress	Female	73286

Basic Measurement Chart

Base Size

-	Measurements (values)	XS	S	M	L	XL	XXL	3XL	4XL	5XL	Tol. +/-	Comment
M	front length from HSP	98,0	100,0	102,0	104,0	106,0	107,0	108,0	109,0	110,0		
A	1/2 chest width	52,5	55,0	57,5	60,0	62,5	66,5	70,5	74,5	78,5		New
D	1/2 hem width	50,5	53,0	55,5	58,0	60,5	64,5	68,5	72,5	76,5		New
F25	sleeve length from shoulder up to 25cm	20,0	21,0	22,0	23,0	24,0	25,0	26,0	27,0	28,0		